

507 VALVES WITH AP-RE PNEUMATIC ACTUATOR Merxtrade B.V.

FEATURES

The 507+AP-RE grey cast iron ball valve is designed for the automatic opening / closing of pipes with low-pressure, non-loaded general fluids. They are full-bore, split-body valves. The 507 has a long size. The ISO 5211 mounting pad allows the actuator to be directly assembled. The pneumatic motorisation is available in double- and spring-return with numerous options.

AVAILABLE MODELS

507: long size according to EN 558-1 series 27 DN 15 to 200 except for DN125 and 150 outside standard with flange threaded holes.

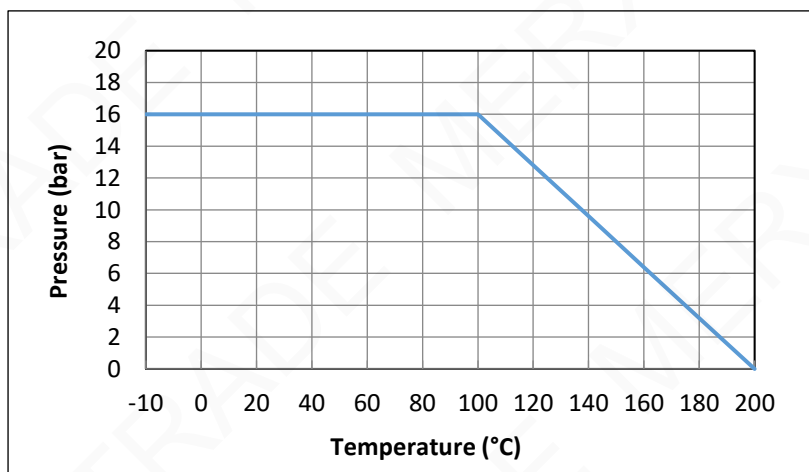
PN10/ 16 RF flange connections.

Double and spring-return actuator.



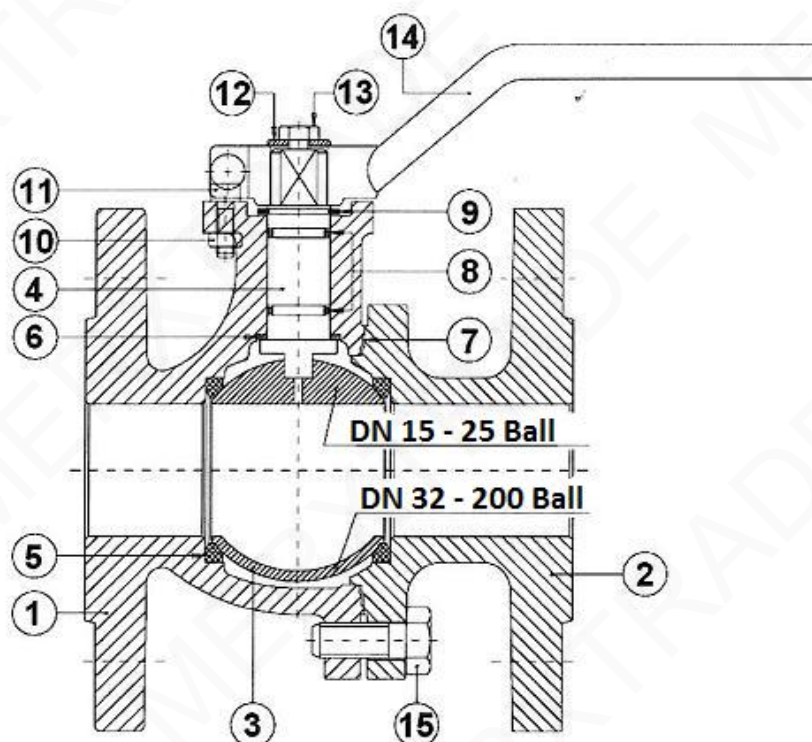
LIMITS OF USE

Fluid pressure: PS	16 bar (20°C)
Fluid temperature: WT	-10°C / +200°C
Prohibited use	Steam, compressed air and gas
Ambient temperature	-20°C / +80°C
Motor compressed air	Mini 6 bar / maxi 10 bar



DIRECTIVES AND MANUFACTURING STANDARDS

OBJECT	Standard	OBJECT	Standard
Pressure Equipment Directive 2014/68/EC	DN 15 and 20: not subject	Final test	EN 12266-1
	DN 25 to 200 : category I	507 Face-to-face dimension	EN 558-1 series 27
Design	DIN 3357	Marking	NKS 19
Size	DIN 3840	Actuator pilot connection	NAMUR
Flange dimensions	EN 1092-2	Switch box connection	VDI/VDE 3845
Connection Motorisation	ISO 5211:		

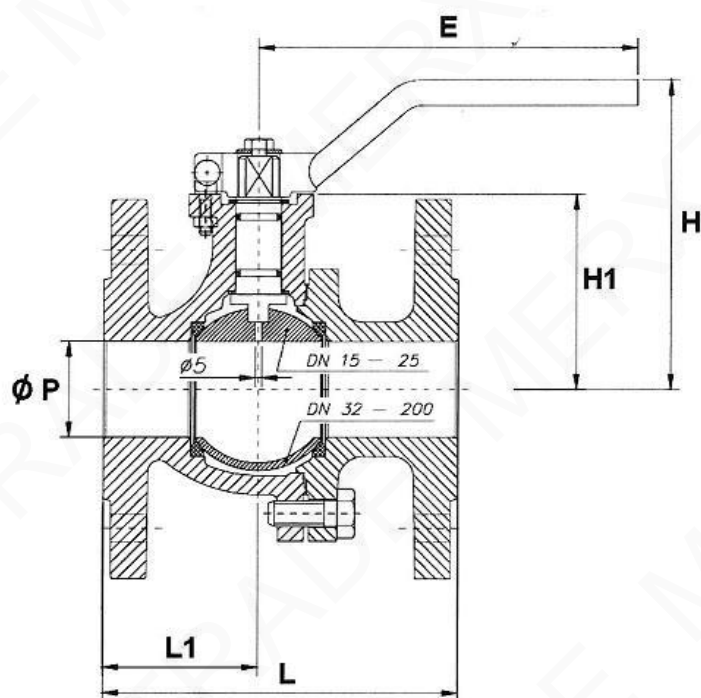


CONSTRUCTION

No.	Name	Material	No.	Name	Material
1	Body	EN GJL-250 cast iron	8	O-ring	FKM
2	End	EN GJL-250 cast iron	9	Washer	DIN 471 steel
3	DN 15-25 ball	303 stainless steel	10	Nut	DIN 934-8 steel
3	DN 32-200 ball	304 stainless steel	11	Screw	DIN 912- 8.8 steel
4	Stem	304 SS	12	Washer	zinc-plated steel
5	Seat	PTFE	13	Screw	DIN 935 5.6
6	Friction washer	PTFE	14	Handle	steel
7	Body gasket	PTFE	15	Screw	DIN 933 5.6

507 VALVES WITH AP-RE PNEUMATIC ACTUATOR

DIMENSIONS (mm)



DN	15	20	25	32	40	50	65	80	100	125	150	200
Ø P	13	17	24	31	38	50	65	80	100	125	150	200
L	115	120	125	130	140	150	170	180	190	200	210	400
L1	49	55.5	51.5	53	61	62	81.5	79	94	120.5	155	190
H	92	95.5	102.2	114.7	119	127	141	151.5	176.5	208	254.2	293.5
H1	48.5	53	59.5	72	77	85	98	108.5	134	165	190	229
E	170	170	170	170	302.5	302.5	224	335	350	350	500	500
Weight (kg)	02:12	2.72	3.62	05:32	6.90	09:00	11.7	14.7	20.2	33.8	49.8	81.8

FLOW-RATE COEFFICIENT Kv (m³/h)

DN	15	20	25	32	40	50	65	80	100	125	150	200
Kv	37.4	74.8	105	176	223	416	660	1200	1980	3600	5040	10890

AP-RE PNEUMATIC MOTORISATION

The ALPHAIR motorisation proposed as standard comprises:

- rack and pinion actuator of anodised aluminium
- a safety coefficient of 1.3 minimum compared to the nominal torque of the valve.
- air non-lubricated dry motor, minimum 6 bar pressure,
- an upstream / downstream pressure difference $\Delta P=10$ bar max.

The actuator mount is a yoke + stainless steel driver according to the EN 15081 standard.


DN	Double-effect	V (litres)	Time (s)*	Single-effect	V (litres)	Time (s)*
15	RE 51	0.23	1	RES 64/6	0.45	1
20	RE 51	0.23	1	RES 64/6	0.45	1
25	RE 51	0.23	1	RES 76/6	0.61	1
32	RE 51	0.23	1	RES 76/6	0.61	1
40	RE 76	0.61	1	RES 86/6	0.98	2
50	RE 76	0.61	1	RES 101/6	1.80	2
65	RE 76	0.61	1	RES 101/6	1.80	2
80	RE 86	0.98	2	RES 116/6	2.80	2
100	RE 101	1.80	2	RES 146/6	4.90	3
125	RE 116	2.80	2	RES 161/6	8.00	3
150	RE 126	3.70	3	RES 181/6	11.1	5
200	RE 161	8.00	3	RES 241/6	19.2	6

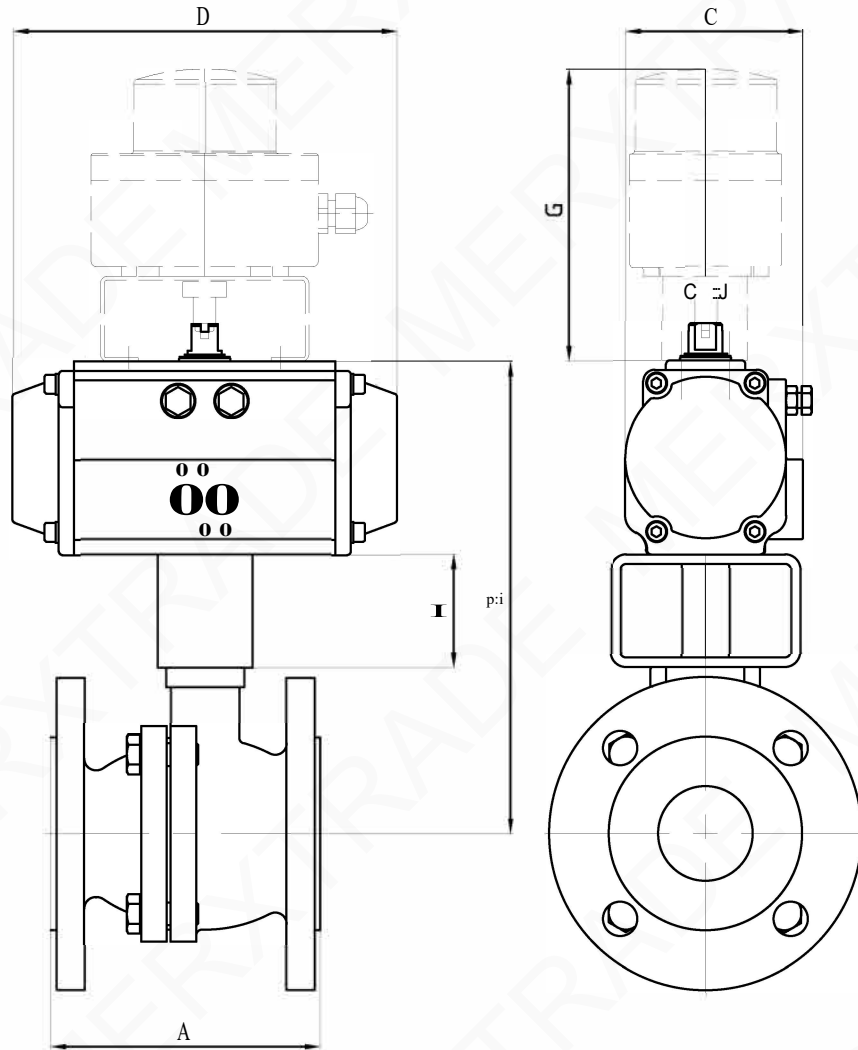
For any other operating conditions, please contact us.

*indicative time of the no-load actuator for opening or closing.

MOTORISATION OPTIONS

There are many options, so please contact our sales service for more information on these:

1	actuators dimensioned for a compressed air pressure of 3, 4 or 5 bar	
2	actuator dimensioned for an upstream / downstream pressure difference ΔP greater than 10 bar	
3	actuator with special coatings, stainless steel actuator	
4	Actuator for very low (-60°C) or very high (+150°C) ambient temperatures.	
5	manual override with declutchable gear box	
6	compressed air filter regulator	
7	All types of piloting solenoid valves	
8	all types of switch boxes	
9	all types of positioner	
10	quick exhaust	
11	flow-rate limiters - exhaust brakes	



DN	15		20		25		32		40		50		65		80		100	
ALPHAIR	RES1	RES64	RES1	RES64	RES1	RES76	RES1	RES76	RE76	RES86	RE76	RES101	RE76	RES101	RE86	RES116	RE101	RES146
A	115		120		125		130		140		150		170		180		190	
B	175,5	194,5	182	199	188,5	221,5	201	234		249	247	272	260	285	280,5	314	341	391
C	75	86	75	86	75	94	75	94	94	104	94	120	94	120	104	133,5	120	164,5
D	138	155	138	155	138	203	138	203	203	239	210	280,5	203	261	239	304	261	398
H	60		60		60		60		60		60		60		60		80	
G	154,5		154,5		154,5		154,5		154,5		154,5		154,5		154,5	164,5	154,5	164,5
KG	5,22	5,93	5,62	6,34	5,82	7,94	6,72	8,86	10	11,8	12,07	15,83	15,77	19,53	20,17	26,08	25,8	41,06
DN	125		150		200													
ALPHAIR	RE116	RES161	RE126	RES181	RE161	RES241												
A	200		210		400													
B	390,5	441	427,5	490	505	607												
C	133,5	182	144,5	203,5	182	300												
D	304	424	333	482	424	604												
H	80		80		80													
G	164,5	184,5	164,5	184,5	184,5													
KG	39,05	55,43	50,9	65,32	108,85	164,4												

MERX TRADE BV



RE SERIES

**PNEUMATIC ACTUATORS
WITH EXTERNAL ADJUSTMENT**

ROTATION 90°



English edition

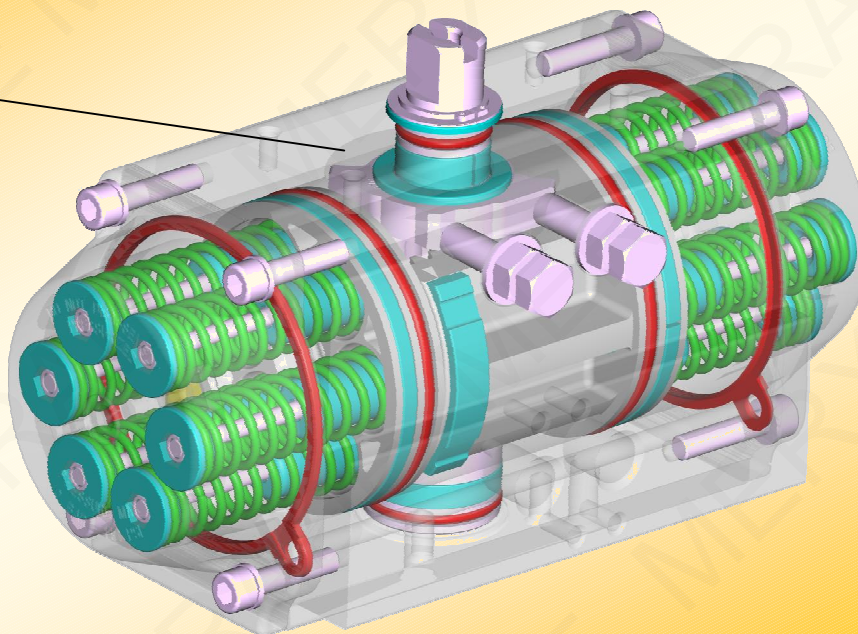
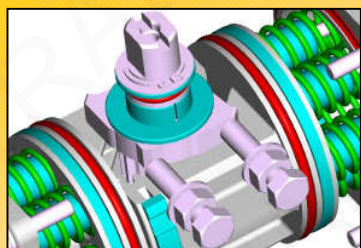


Alphaair

Distributed in FRANCE by
SECTORIEL

2017

ALPHAIR PNEUMATIC ACTUATORS EXTERNAL ADJUSTMENT New "RE" SERIES



The new series of ALPHAIR Pneumatic Actuators with special "External Adjustment" system meets every quality and precision requirement.

The new "External Adjustment" system guarantees maximum precision on rotation adjusting, for normal and heavy conditions, in any application field.

Suitable for every requirement, ALPHAIR Pneumatic Actuators with special "External Adjustment" system are carefully designed for maximum torque rating and maximum lifetime.

More compact, heavy and reliable, ALPHAIR Pneumatic Actuators with special "External Adjustment" system can be easily assembled on every kind of valve.

STANDARD VERSION FEATURES

- **EN AW 6063 extruded aluminium Body**, inside surface finishing Ra= 0,4-0,6. 25 µ Hard Anodizing.
- **EN AB 46100 die-cast aluminium alloy Pistons**, 15 micron Anodizing.
- **EN AB 46100 die-cast aluminium alloy Covers**, painted with 60-80 µ polyester powder.
- **Carbon steel Shaft**, 20 µ nickel-plated. Stainless Steel AISI 304 (A2) or AISI 316 (A4) as Optional.
- **External adjusting gear, made of Stainless Steel AISI 316 (A4).**
- **AISI 316 (A4) Stainless Steel Screws.**
- **NBR nitrile rubber seals.** FPM/FKM or SILICONE on request.
- Acetalic resin + 20% PTFE bearings, for low friction, easily replaceable for maintenance. PA66 or LEXAN on request.
- Pre-compressed Spring Cartridges, easily replaceable for maintenance, 60-80 micron polyester painted.
- High performances Synthetic Grease as standard grease. Special grease supplied for HIGH/LOW/VERY LOW temperatures.
- Several special protections available for chemical, pharmaceutical, food and industrial environments.
- Rotation adjustment $\pm 5^\circ$ in both opening and closing position. Assembly precision $\pm 1^\circ$, made by electronic devices.
- Double lower drilling for valve fastening and centering, according to ISO 5211-DIN 3337 Standards.
- Double square lower female shaft key (starlike), according to ISO 5211-DIN 3337 Standards for assembly on valves with square key on line (0°) and diagonal key (45°).
- Solenoid connections according to NAMUR VDI\VDE-3845 Standards.
- Top drilling for accessories fastening, and upper shaft end according to NAMUR VDI\VDE-3845 Standards.
- Position indicator on request, enabling switch-box assembly on top.
- Aluminium adhesive nameplates, with progressive serial number punched.
- Lubrication carried out by the manufacturer, guaranteed for min. 1.000.000 operations.
- Running test and 100% seal test carried out with electronic equipment and certification of every individual product.
- Standard execution for temperatures from -20°C to $+80^\circ\text{C}$ (optional, special execution for extreme temperatures).
- Conformity for use in explosive environment; Ex II 2 GD "c" protection type.
- According to EN 15714-3 design and manufacture standard requirements.

FEEDING	TEMPERATURE RANGE	SUPPLY PRESSURE	ROT. ADJUSTMENT
Dry or lubricated 50 um filtered compressed air	Standard $-20^\circ +80^\circ\text{C}$ ($-4 +175^\circ\text{F}$) HIGH Temperature $-20^\circ +150^\circ\text{C}$ ($-4 +300^\circ\text{F}$) LOW Temperature $-40^\circ +80^\circ\text{C}$ ($-40 +175^\circ\text{F}$) VERY LOW Temperature $-60^\circ +80^\circ\text{C}$ ($-76 +175^\circ\text{F}$)	8 bar/120 psi Continuous working 10 bar/142 psi MAXIMUM	$\pm 5^\circ$ in both OPENING and CLOSING position

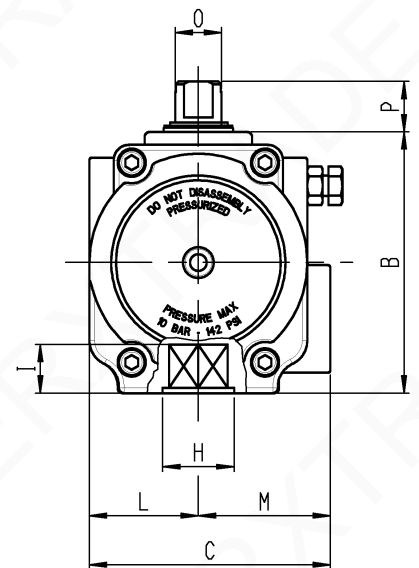
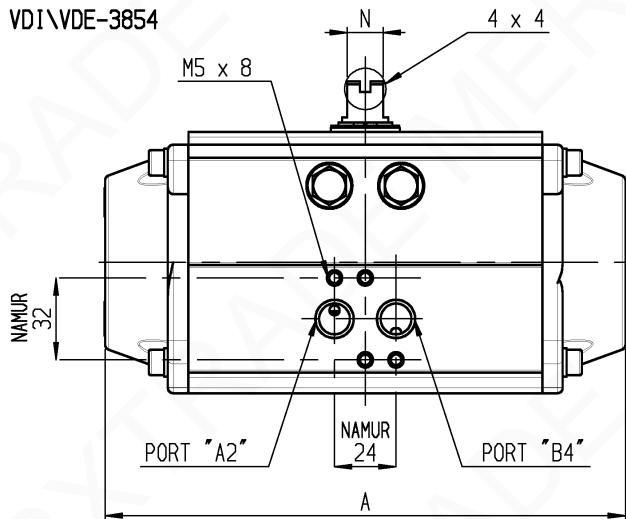
DOUBLE ACTING TORQUES IN Nm

TYPE	AIR SUPPLY PRESSURE (bar)									
	1	2	3	4	5	6	7	8	9	10
RE 043	-	-	6,5	8,7	10,9	13,0	15,2	17,3	19,5	21,7
RE 051	3,3	6,7	10,0	13,4	16,7	20,1	23,4	26,8	30,1	33,5
RE 064	5,9	11,8	17,8	23,7	29,6	35,5	41,4	47,4	53,3	59,2
RE 076	11,8	23,5	35,3	47,1	58,9	70,6	82,4	94,2	105,9	117,7
RE 086	17,2	34,5	51,7	68,9	86,1	103,4	120,6	137,8	155,0	172,3
RE 101	27,5	54,9	82,4	109,8	137,3	164,8	192,2	219,7	247,1	274,6
RE 116	43,7	87,4	131,1	174,9	218,6	262,3	306,0	349,7	393,4	437,1
RE 126	56,6	113,3	169,9	226,5	283,2	339,8	396,4	453,0	509,7	566,3
RE 146	88,4	176,7	265,1	353,4	441,8	530,1	618,5	706,9	795,2	883,6
RE 161	114,9	229,7	344,6	459,5	574,3	689,2	804,1	918,9	1034	1149
RE 181	156,6	313,1	469,7	626,3	782,9	939,4	1096	1253	1409	1565
RE 201	215,3	430,6	646,0	861,3	1077	1292	1507	1723	1938	2153
RE 241	372,5	745,0	1118	1490	1863	2235	2608	2980	3353	3725
RE 271	539,2	1078	1617	2157	2696	3235	3774	4314	4853	5392
RE 331	911,5	1823	2734	3646	4558	5469	6835	7292	8204	9115
RE 421	1671	3342	5013	6684	8354	10025	11696	13367	-	-

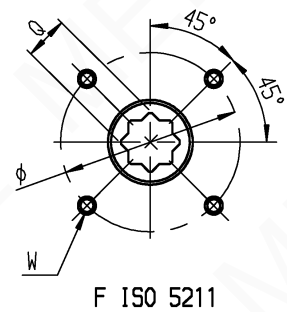
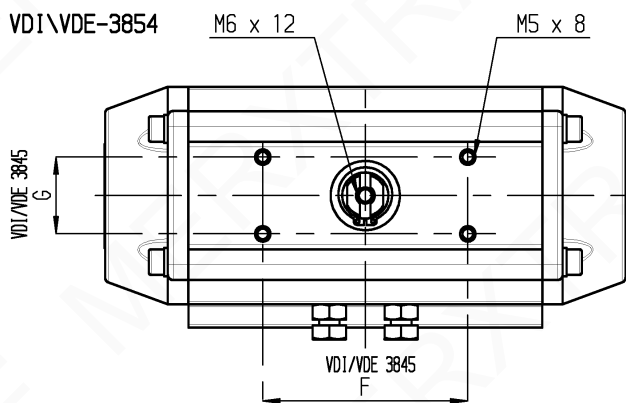
SINGLE ACTING TORQUES IN Nm

TYPE	SPRING SET	AIR SUPPLY PRESSURE (bar)												SPRING TORQUE	
		3		4		5		6		7		8		90°	0°
		0°	90°	0°	90°	0°	90°	0°	90°	0°	90°	0°	90°		
RE 043	SR 3/3	-	-	-	-	7,1	4,1	9,3	6,3	11,5	8,5	13,7	10,7	6,8	3,8
	SR 4/4	-	-	-	-	-	-	8,1	4,1	10,2	6,2	12,4	8,4	9,0	5,0
RE 051	SR 3/3	5,8	4,3	9,1	7,6	12,5	10,9	15,8	14,3	19,2	17,6	22,5	21,0	5,8	4,3
	SR 4/4	4,4	2,3	7,8	5,7	11,1	9,0	14,4	12,3	17,8	15,7	21,1	19,0	7,8	5,7
	SR 5/5	-	-	6,3	3,7	9,7	7,1	13,0	10,4	16,4	13,8	19,7	17,1	9,7	7,1
	SR 6/6	-	-	8,2	5,1	11,6	8,5	14,9	11,8	18,3	15,2	21,6	18,5	11,6	8,5
RE 064	SR 3/3	10,7	7,1	16,6	13,0	22,5	18,9	28,5	24,8	34,4	30,8	40,3	36,7	10,7	7,1
	SR 4/4	8,4	3,5	14,3	9,4	20,2	15,4	26,1	21,3	32,0	27,2	38,0	33,1	14,3	9,4
	SR 5/5	-	-	11,9	5,9	17,8	11,8	23,8	17,7	29,7	23,6	35,6	29,6	17,8	11,8
	SR 6/6	-	-	15,5	8,2	21,4	14,1	27,3	20,1	33,2	26,0	40,3	33,1	21,4	14,1
RE 076	SR 3/3	21,1	14,3	32,8	26,0	44,6	37,8	56,4	49,6	68,1	61,3	79,9	73,1	21,1	14,3
	SR 4/4	16,3	7,2	28,1	19,0	39,8	30,8	51,6	42,5	63,4	54,3	75,2	66,1	28,1	19,0
	SR 5/5	-	-	23,3	12,0	35,1	23,8	46,9	35,5	58,6	47,3	70,4	59,1	35,1	23,8
	SR 6/6	-	-	30,3	16,7	42,1	28,5	53,9	40,3	65,6	52,0	77,1	64,1	42,1	28,5
RE 086	SR 3/3	33,8	17,8	51,1	35,1	68,3	52,3	85,5	69,5	102,7	86,7	120,0	104,0	33,8	17,8
	SR 4/4	27,9	6,6	45,1	23,8	62,3	41,0	79,6	58,2	96,8	75,5	114,0	92,7	45,1	23,8
	SR 5/5	-	-	39,2	12,5	56,4	29,7	73,6	47,0	90,8	64,2	108,1	81,4	56,4	29,7
	SR 6/6	-	-	50,4	18,5	67,7	35,7	84,9	52,9	102,1	70,1	120,0	92,7	67,7	35,7
RE 101	SR 3/3	50,1	32,3	77,5	59,7	105,0	87,2	132,5	114,7	159,9	142,1	187,4	169,6	50,1	32,3
	SR 4/4	39,3	15,6	66,8	43,0	94,2	70,5	121,7	98,0	149,2	125,4	176,6	152,9	66,8	43,1
	SR 5/5	-	-	56,0	26,4	83,5	53,8	110,9	81,3	138,4	108,7	165,9	136,2	83,5	53,8
	SR 6/6	-	-	72,7	37,1	100,2	64,6	127,6	92,0	155,1	119,5	187,4	152,9	100,2	64,6
RE 116	SR 3/3	80,7	50,5	124,4	94,2	168,1	137,9	211,8	181,6	255,5	225,3	299,3	269,0	80,7	50,5
	SR 4/4	63,9	23,5	107,6	67,3	151,3	111,0	195,0	154,7	238,7	198,4	282,4	242,1	107,6	67,3
	SR 5/5	-	-	90,8	40,4	134,5	84,1	178,2	127,8	221,9	171,5	265,6	215,2	134,5	84,1
	SR 6/6	-	-	117,7	57,2	161,4	100,9	205,1	144,6	248,8	188,3	282,4	242,1	161,4	100,9
RE 126	SR 3/3	105,0	64,9	161,6	121,5	218,2	178,2	274,9	234,8	331,6	291,4	388,1	348,0	105,0	64,9
	SR 4/4	83,3	29,9	140,0	86,5	196,6	143,2	253,2	199,8	309,9	256,4	366,5	313,0	140,0	86,6
	SR 5/5	-	-	118,3	51,5	175,0	108,2	231,6	164,8	288,2	221,4	344,8	278,1	175,0	108,2
	SR 6/6	-	-	153,3	73,2	210,0	129,8	266,6	186,4	323,2	243,1	353,1	283,1	210,0	129,8
RE 146	SR 3/3	162,5	102,6	250,8	190,9	339,2	279,3	427,5	367,7	515,9	456,0	604,3	544,4	162,5	102,6
	SR 4/4	128,3	48,4	216,6	136,8	305,0	225,1	393,3	313,5	481,7	401,9	570,1	490,2	216,6	136,8
	SR 5/5	-	-	182,4	82,6	270,8	171,0	359,1	259,3	447,5	347,7	535,9	436,0	270,8	171,0
	SR 6/6	-	-	236,6	116,8	324,9	205,2	413,3	293,5	501,7	381,9	551,7	436,0	325,0	205,2
RE 161	SR 3/3	202,7	141,9	317,5	256,8	432,4	371,6	547,3	486,5	662,1	601,4	777,0	716,2	202,7	141,9
	SR 4/4	155,3	74,3	270,2	189,2	385,1	304,1	499,9	418,9	614,8	533,8	729,7	648,7	270,2	189,2
	SR 5/5	-	-	222,9	121,6	337,8	236,5	452,6	351,4	567,5	466,2	682,4	581,1	337,8	236,5
	SR 6/6	-	-	290,4	168,9	405,3	283,8	520,2	398,6	635,0	513,5	716,2	616,2	405,3	283,8
RE 181	SR 3/3	281,6	188,2	438,1	344,7	594,7	501,3	751,3	657,9	907,8	814,5	1064	971,0	281,6	188,2
	SR 4/4	218,8	94,3	375,4	250,9	532,0	407,5	688,5	564,0	845,1	720,6	1002	877,2	375,4	250,9
	SR 5/5	-	-	312,7	157,0	469,3	313,6	625,8	470,2	782,4	626,8	939,0	783,3	469,3	313,6
	SR 6/6	-	-	406,5	219,8	563,1	376,3	719,7	532,9	876,2	689,5	971,0	814,5	563,1	376,3
RE 201	SR 3/3	386,2	259,8	601,5	475,13	816,8	690,5	1032	905,8	1247	1121	1436	1336	386,2	259,8
	SR 4/4	299,6	131,1	514,9	46,4	730,2	561,8	945,5	777,1	1160	992,4	1376	1208	514,9	346,4
	SR 5/5	-	-	428,3	217,7	643,6	433,0	858,9	648,4	1074	863,7	1290	1079	643,6	433,0
	SR 6/6	-	-	557,0	304,3	772,3	519,6	987,6	735,0	1203	950,3	1336	1121	772,3	519,6
RE 241	SR 3/3	664,0	453,6	1037	826,2	1409	1199	1782	1571	2154	1944	2527	2316	664,0	453,6
	SR 4/4	521,8	232,3	885,4	604,8	1258	977,4	1630	1350	2003	1722	2376	2095	885,4	604,8
	SR 5/5	-	-	734,2	383,5	1107	756,0	1479	1129	1852	1501	2224	1874	1107	756,0
	SR 6/6	-	-	955,5	534,7	1328	907,2	1701	1280	2073	1653	2273	1874	1328	907,2
RE 271	SR 3/3	912,5	705,1	1452	1244	1991	1783	2530	2323	3069	2862	3608	3401	912,5	705,1
	SR 4/4	677,5	400,8	1217	940,2	1756	1479	2295	2019	2834	2558	3373	3097	1217	940,1
	SR 5/5	-	-	981,7	635,8	1521	1175	2060	1714	2599	2144	3138	2793	1521	1175
	SR 6/6	-	-	1286	871,0	1825	1410	2364	1954	2903	2489	3401	3097	1825	1410
RE 331	SR 3/3	1626	1108	2538	2020	3450	2931	4361	3843	5273	4755	6184	5666	1626	1108
	SR 4/4	1257	565,8	2168	1477	3080	2389	3992	3301	4903	4212	5815	5123	2168	1477
	SR 5/5	-	-	1799	935,2	2711	1847	3622	2759	4534	3670	5445	4582	2711	1847
	SR 6/6	-	-	2341	1305	3253	2216	4165	3128	5076	4040	5666	4853	3253	2216
RE 421	SR 3/3	2999	2014	4670	3685	6340	5356	8011	7026	9682	8697	11353	10368	2999	2014
	SR 4/4	2327	1014	3998	2685	5669	4356	7340	6027	9011	7698	9369	8369	3998	2685
	SR 5/5	-	-	3327	1685	4998	3356	6669	5027	8340	6698	8369	7369	4998	3356
	SR 6/6	-	-	4327	2357	5997	4028	7668	5698	9682	8697	11353	10368	5997	4028

VDI/VDE-3854

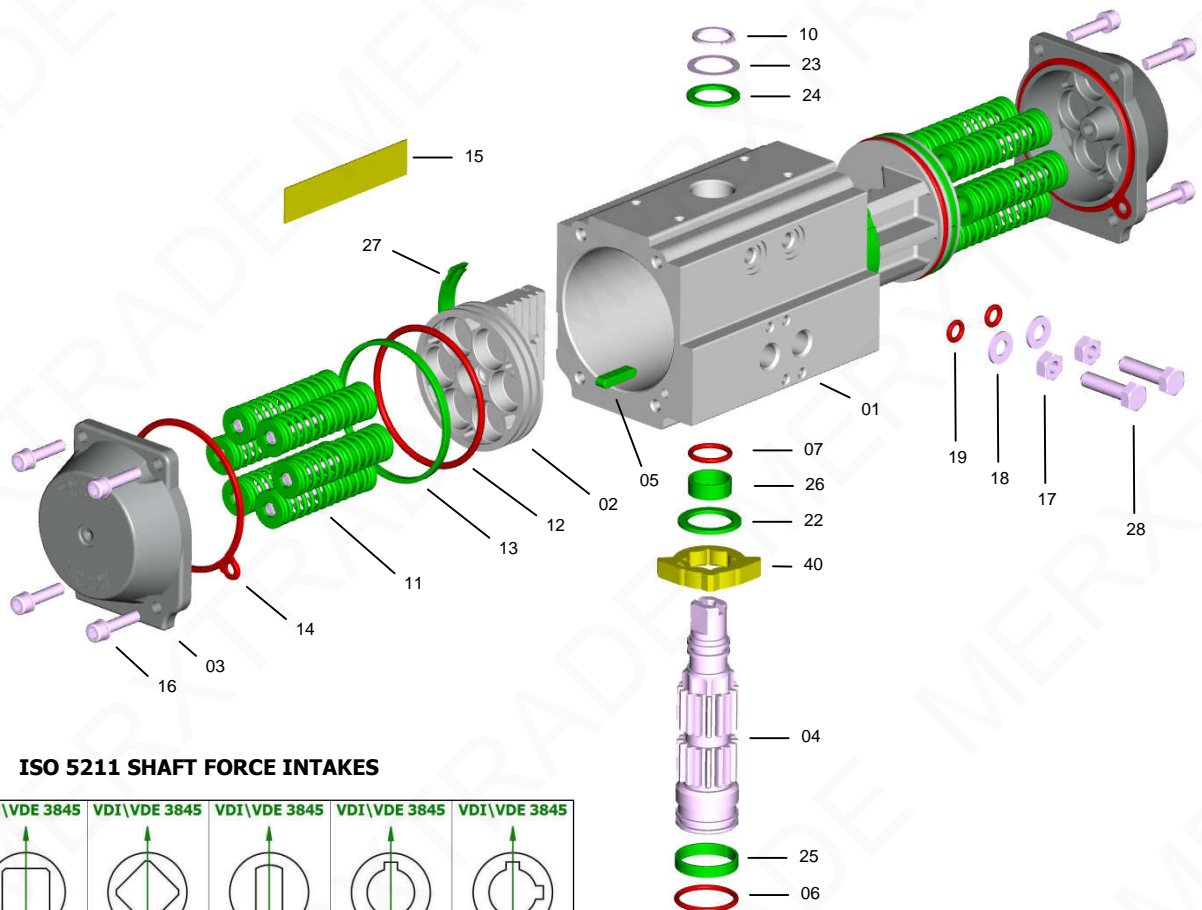


VDI/VDE-3854



POSITION	TYPE															
	RE 043	RE 051	RE 064	RE 076	RE 086	RE 101	RE 116	RE 126	RE 146	RE 161	RE 181	RE 201	RE 241	RE 271	RE 331	RE 421
A	141	138	155	203	239	261	304	333	398	424	482	528	604	684	850	940
B	62	69	86	102	112	127	145,5	157,5	177	196	220	246	298	332	414	542
C	63,5	75	86	94	104	120	133,5	144,5	164,5	182	203,5	222	300	352	400	528
VDI/VDE 3845 F x G	80 x 30 50 x 25	80 x 30					80 x 30 130 x 30			130 x 30						200 x 50
L	27	33,5	38	42,5	49	55	63,5	69,5	80,5	89	99,5	110	150	176	190	234
M	36,5	41,5	48	51,5	55	65	70	75	84	93	104	112	150	176	210	294
Port A Port B DIN 259	1/8" GAS-NPT			1/4" GAS-NPT								1/2" GAS-NPT				
N x O	8 x 12			14 x 18			27 x 36			32 x 42		42 x 60	55 x 80			
P	20						30			50						80
Q x I	9 x 10 11 x 13	9 x 10 11 x 13	9 x 10 11 x 13 14 x 16	11 x 13 14 x 16 17 x 20	14 x 16 17 x 20	14 x 16 17 x 20 22 x 25	17 x 20 22 x 25	17 x 20 22 x 25 27 x 29	22 x 25 27 x 29	22 x 25 27 x 29	27 x 29 36 x 39	27 x 29 36 x 39	36 x 39 46 x 50	36 x 39 46 x 50	*46 x 50 55 x 60	*55 x 60 75 x 80
F ISO 5211	F04	F04	F05/07	F05/07	F05/07	F07/10	F07/10	F07/10	F10/12	F10/12	F10/12	F14	F14	F16	F16/25	F25/30
Optional	F03/05	F03/05	F3/5/7			F5/7/10		F7/10/12			F14	F10/12	F(12)/16	F(12)/16		F(16)
Volume DE	0,180 lt	0,300 lt	0,500 lt	0,700 lt	1,000 lt	1,800 lt	2,900 lt	3,700 lt	6,100 lt	7,900 lt	11,2 lt	14,4 lt	19,2 lt	32,2 lt	62,8 lt	131 lt
Volume SE	0,072 lt	0,120 lt	0,200 lt	0,280 lt	0,400 lt	0,720 lt	1,160 lt	1,480 lt	2,440 lt	3,160 lt	4,480 lt	5,760 lt	7,680 lt	12,9 lt	25,1 lt	52,4 lt

POSITION	F ISO 5211											
	F03	F04	F03/05	F05	F05/07	F5/7/10	F07/10	F10/12	F14	F16	F25	F30
Ø (W)	Ø 36 (M5x8)	Ø 42 (M5x8)	Ø 36 (M5x8) Ø 50 (M6x9)	Ø 50 (M6x9)	Ø 50 (M6x9) Ø 70 (M8x12)	Ø 50 (M6x9) Ø 70 (M8x12) Ø 102 (M10x15)	Ø 70 (M8x12) Ø 102 (M10x15)	Ø 102 (M10x15) Ø 125 (M12x18)	Ø 140 (M16x24)	Ø 165 (M20x30)	Ø 254 (M16x24) N°8 FORI	Ø 298 (M20x35) N°8 FORI
H	25	30	25	35	35 (RE 086=40)	40	55	85 (RE 161=75)	100	130	200	200



ISO 5211 SHAFT FORCE INTAKES

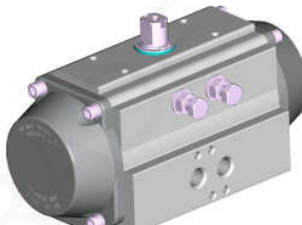
VDI\VDE 3845	VDI\VDE 3845	VDI\VDE 3845	VDI\VDE 3845	VDI\VDE 3845	VDI\VDE 3845
STANDARD ALPHA R S = L/D	L	D	H	V	W

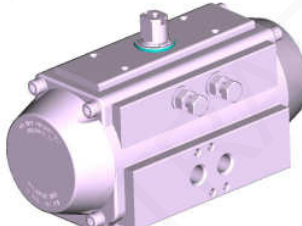
PART	QUANTITY	DESCRIPTION	MATERIAL	SPECIFICATION	PROTECTION
1	1	Body	Extruded aluminium alloy	EN AW 6063 T6	A - N - TF
2	2	Piston	Aluminium alloy	EN AB 46100 T6	A
3	2	Cover	Aluminium alloy	EN AB 46100 T6	N - V - TF
4	1	Shaft	Carbon steel Stainless Steel – optional	ASTM A-105 AISI 304 (A2) AISI 316 (A4)	N
5 *	2	Antiejection key	Acetalic resin – PA66 – PA66 – LEXAN		
6 *	1	Lower shaft O-Ring	NBR – FPM\FKM – Silicone – Silicone		
7 *	1	Upper shaft O-Ring	NBR – FPM\FKM – Silicone – Silicone		
10 *	1	Seeger ring	Carbon steel		N
11	0 ... 12	Spring cartridge	Carbon steel, PA 66, Stainless Steel	C-98	V
12 *	2	Piston O-Ring	NBR – FPM\FKM – Silicone – Silicone		
13 *	2	Piston head bearing	Acetalic resin – PA66 – PA66 – LEXAN		
14 *	2	Cover gasket	NBR – FPM\FKM – Silicone – Silicone		
15	1	Nameplate	Aluminium		
16	4 + 4	Cover fastening screw	Stainless Steel	AISI 304 (A2)	
17	2	Nut	Stainless Steel	AISI 304 (A2)	
18	2	Washer	Stainless Steel	AISI 304 (A2)	
19 *	2	O-Ring	NBR – FPM\FKM – Silicone – Silicone		
22 *	1	Gear antifriction washer	Acetalic resin – PA66 – PA66 – LEXAN		
23 *	1	Shaft thrust washer	Stainless Steel	AISI 304 (A2)	
24 *	1	Shaft antifriction washer	Acetalic resin – PA66 – PA66 – LEXAN		
25 *	1	Lower shaft pilot ring	Acetalic resin – PA66 – PA66 – LEXAN		
26 *	1	Upper shaft pilot ring	Acetalic resin – PA66 – PA66 – LEXAN		
27 *	2	Piston bearing	Acetalic resin – PA66 – PA66 – LEXAN		
28	2	Adjusting gear screw	Stainless Steel	AISI 304 (A2)	
40	1	Adjusting gear	Stainless Steel	AISI 316 (A4)	

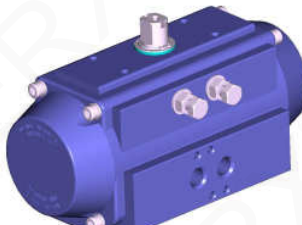
* SPARE PARTS SET: Standard, Special HIGH Temperatures, Special LOW Temperatures, Special EXTRA LOW Temperatures

PROTECTIONS

A = Anodizing N = chemical Nickel-plating V = Painting TF = Anodizing+PTFE

	AV	DESCRIPTION				APPLICATION FIELD - Industry, general use.
		Body	Covers	Pistons	Shaft	
	standard	Anodizing	Polyester painting	Anodizing	High phosphorous nickel-plating (12%) opt. AISI 304 (A2) opt. AISI 316 (A4)	
	Colour	Gray	Gray	Brown	Polished steel	
	Thickness	25 µ	60/80 µ	15 µ	20 µ	

	NN	DESCRIPTION				APPLICATION FIELD - Industry, general use. - Caustic soda. - Detergents. - Low alkaline solutions.
		Body	Covers	Pistons	Shaft	
		High phosphorous nickel-plating (12%)	High phosphorous nickel-plating (12%)	Anodizing	High phosphorous nickel-plating (12%) opt. AISI 304 (A2) opt. AISI 316 (A4)	
	Colour	Polished steel	Polished steel	Brown	Polished steel	
	Thickness	20 µ	20 µ	15 µ	20 µ	

	TF TF	DESCRIPTION				APPLICATION FIELD - Industry, general use. - Low alkaline and low acid solutions. - Marine environments. - High temperatures.
		Body	Covers	Pistons	Shaft	
		Anodizing + PTFE coating	Anodizing + PTFE coating	Anodizing	High phosphorous nickel-plating (12%) opt. AISI 304 (A2) opt. AISI 316 (A4)	
	Colour	Blue	Blue	Brown	Polished steel	
	Thickness	Anodizing 25 µ PTFE 15 µ	Anodizing 15 µ PTFE 15 µ	15 µ	20 µ	

ANODIZING

Anodizing is an electrolytic process that produces anodic coating on aluminum, called alumine, with high thickness. Alumine is one of the most hard known materials, with resistance values up to 400-600 HV (45-65 HRC); properties and features of Anodizing (alumine thickness 25 micron) are well know and appreciated both for mechanical and chemical resistance.

- > **Best friction and corrosion resistance, best surface hardness, good thermic and electrical insulation.**

ELECTROLESS NICKEL-PLATING

Chemical nickel-plating is an electroless coating process that gives nickel layers at extremely constant thickness also on sharp angles, blind-holes, threads and grooves recess. During the process, nickel is combined with phosphor at a percentage of 12% (high-phosphor). The obtained surface hardness is about 400-480 HV (45-55 HRC).

- > **Best friction and corrosion resistance, best surface hardness, best external appearance similar to S.S., increased resistance to alcali and detergents in sanitary and food applications.**

POLYESTER PAINTING

Polyester painting is obtained through powder coatings on polarized parts, by means of light differences in electrical potentials. After applications, parts are baked in order to polymerize and let the painting be spread to avoid micro-porosity. The best elasticity can be obtained at 60/80 micron thickness; a satisfactory adhesion can be assured by sandblasting or brushing, and by special degreasing baths of the rough pieces to be treated.

- > **Better corrosion resistance, protection against crashes, better external appearance and several available colours, resistance to chemicals.**

ANODIZING + PTFE COATING

As further improvement of the hard anodising treatment on aluminium alloys, protective coatings made of PTFE are used; this material is known for its particular chemical and physical features. On these double treated surfaces, oxide hardness and low roughness (internal slipping parts) is summed to the chemical resistance and the excellent qualities as a thermic barrier of PTFE (external surface, subject to corrosion).

- > **Better corrosion resistance, protection against high temperatures and crashes, extreme resistance to chemicals and in marine environnements.**

AISI 304 (A2) OR AISI 316 (A4) STAINLESS STEEL SHAFT - OPTIONAL

AISI 304 (A2) and AISI 316 (A4) Stainless Steel shafts, with their great corrosion resistance, are recommended for special applications such as: marine and chemical environments, food and pharmaceutical industry, high temperature applications.



Via Molino Emili, 16 - 25030 MACLODIO (BS) Italy - Tel. +39 030 97 86 61/2- Fax +39 030 97 86 63
www.alphair.it - www.alphapompe.it

Tous droits réservés - Annule et remplace toutes les versions précédentes - Les données sont sujettes à changement sans préavis - Non garantie l'exactitude

<p>COMPANY WITH QUALITY SYSTEM CERTIFIED BY DNV GL = ISO 9001 =</p>					<p>EN UNI 10204 3.1</p>	<p>СЕРТИФИКАТ СООТВЕТСТВИЯ EAC</p>
---	---	---	---	---	------------------------------------	---